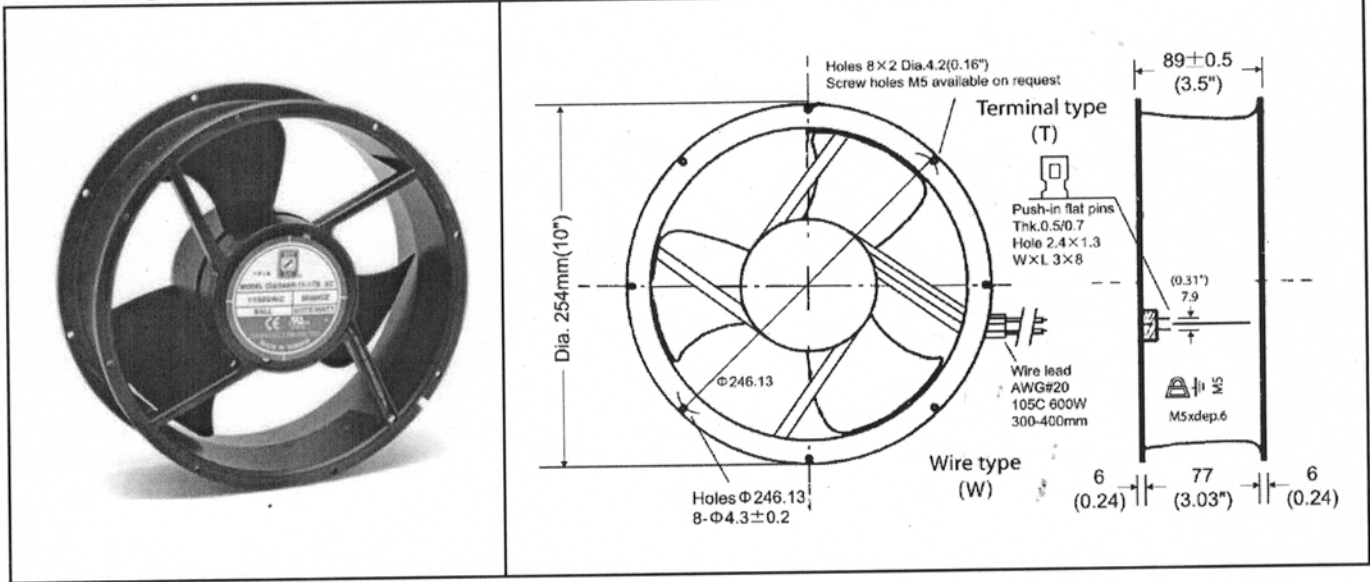


# OA254AN Series High Performance



254 x 89mm  
(10.0" x 3.5")



Frame	Diecast Aluminum	<b>Operating Temperature</b> Ball Bearing -20C ~ +80C  <b>Life Expectancy</b> Ball Bearing 60,000 hours (L10 at 40C)  <b>Approvals</b> UL/cUL: E170149 TUV: R50133700 CE  m0	
Impeller	PBT, UL94V-O plastic		
Connection	2x Lead Wires or Terminals		
Motor	Capacitor drive, thermally protected		
Bearing System	Dual ball		
Insulation Resistance	>100M ohm between lead-wire and frame (500VDC)		
Dielectric Strength	1 min at 1500 VAC, 50/60Hz		

Model Number	Speed (RPM)	Airflow (CFM)	Noise (dB)	Volts AC	Voltage Range	Watts	Max. Static Pressure (H <sub>2</sub> O)
OA254AN-11-1 * XC	2700	850	69	115	80~130	75	1.14
OA254AN-11-1 *	2200	700	65	115	80~130	70	0.80
OA254AN-11-2 *	2000	600	55	115	80~130	45	0.59
OA254AN-11-3 *	1100	320	48	115	80~130	32	0.31
OA254AN-22-1 * XC	2700	850	69	230	160~260	75	1.14
OA254AN-22-1 *	2200	700	65	230	160~260	70	0.80
OA254AN-22-2 *	2000	600	55	230	160~260	45	0.59
OA254AN-22-3 *	1100	320	48	230	160~260	32	0.31

\* Indicate "TB" for terminal type or "WB" for Wire leads (300mm)