

Emergency Battery Charger



EMERGENCY BATTERY CHARGER

DC Power you can deploy that fits your Tool Budget

Product Description

The Eagle Eye Emergency Battery Charger is a stationary float battery charger based on a high efficiency modular, redundant platform design. Housed in a robust and durable travel case, which adds protection and increases product life cycle. It utilizes high availability with uptime architecture. Available in 480W or 400W with hot-swappable Intelligent Power Modules (iPMs) which are available at the following ratings:

Output Range:

- 24V, 10 – 40 Amps
- 48V, 10 – 40 Amps
- 130V, 4 – 16 Amps

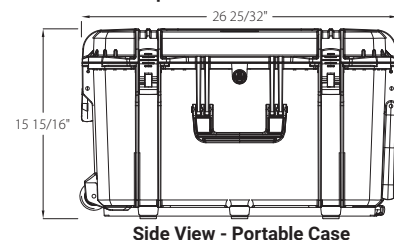
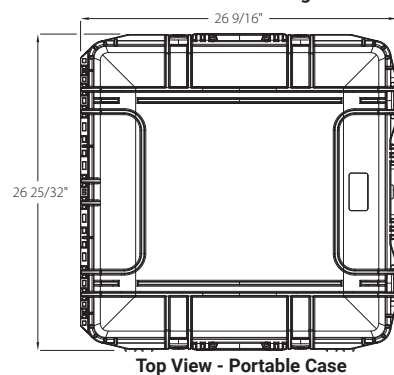
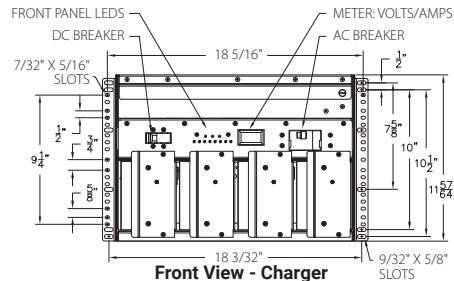
(Each charger comes with 4 modules standard, extra iPMs can be ordered)

Multiple iPMs in a single chassis provide redundancy (N+1, N+2, etc.) and will continue to operate independently if the user interface module (UIM) fails. This ensures maximum reliability for critical uptime applications. Our chargers are compatible with a range of battery types including VLA, VRLA, Ni-Cd with user defined alarms to suit each battery type.

Quick Look

- Easy to transport in robust case
- Less than 80lbs
- DC Cable with proprietary strain relief included
- Automatic Universal 1PH AC Input
- Avoid DOT trailer
- Haul or ship anywhere with confidence

Dimensions



Product Features

- Low DC output ripple - battery eliminator option standard
- AC/DC powered UIM for continued operation without AC
- High quality conformal coated circuit boards for moisture protection
- Convection cooled with wide -40 – 70°C (-40 – 158°F) operating range and no fan failure points
- High energy efficiency of > 93% at 240 VAC and > 91% at 120 VAC and full load
- Battery temperature compensation with controlled limits
- Alarms can be individually enabled/disabled, assigned a delay
- SNMP alarming and NTP date/time sync via Ethernet
- Digital Amp/Volt meter standard
- Meets IEEE std 2405-2022



iPM (Intelligent Power Module)

- Modular & convection cooled
- Multiple iPMs in a single charger offer redundancy
- Hot swappable

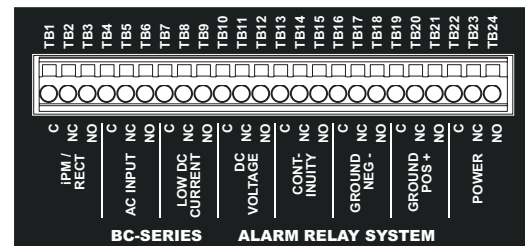
Web-Based Software

- Internal web server uses a modern, responsive framework for attractive display on smart phones and tablets
- Ethernet communication standard for field or remote monitoring
- Access on any desktop PC or laptop via web browser
- View all measured parameters in real-time
- Log up to 10,000 history records, downloadable to a CSV file

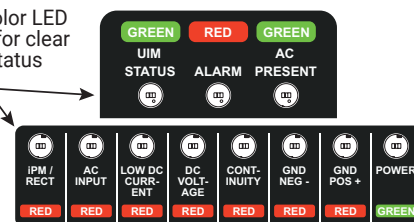
AC Input	
Voltage range, rated	100 – 240 VAC
Voltage range, operating	90 – 264 VAC; < 100 VAC: reduced power
Frequency, rated	50 – 200 Hz
Frequency, operating	45 – 205 Hz
Phase	Single-phase
Efficiency	> 91%, 120 VAC, full load; > 93%, 240 VAC, full load;
Power Factor	> 0.98, 120 VAC, full load; > 0.96, 240 VAC, full load
Protection	Current limit, surge, transient inrush, under voltage, over voltage
DC Output	
Voltage range	
24 VDC	10 – 40 VDC
48 VDC	30 – 61 VDC
130 VDC	75 – 150 VDC
Power, maximum, per iPM	
24 VDC	400 W
48 VDC	480 W
130 VDC	480 W
Current, maximum, per iPM	
24 VDC	10 A
48 VDC	10 A
130 VDC	4 A
Current, rated, per iPM	
24 VDC	10 A
48 VDC	8.1 A
130 VDC	3.3 A
Protection	Current limit, short circuit, reverse polarity, surge, transient (lightning)
Environmental	
24 VDC	-40 – 70°C (-40 – 158°F)
48 VDC, 130 VDC	-40 – 70°C (-40 – 158°F) > 50°C: reduced power mode
Storage Temperature	-55 – 85°C (-67 – 185°F)
Humidity Range	0 – 95%, non-condensing
Operations	
TPL Compliance Charging Operations	Automated/Manual Continuity Test
Load Testing	Manual Load Testing
Certifications	
UL/CSA/CEC certified, Meets IEEE std 2405-2022	

Interface	
DC Cable	Equipped with 16' 8 AWG DC cable safe for all Emergency Battery Charger Models. Includes SB-175 Gray connector with proprietary strain relief. Replacement PN 44996S
DC voltage switches	2 switches for Number of Cells 3 switches for Volts per Cell
Button	Confirm Local Presence
LEDs	
UIM	4 single-color; AC Present, Alarm UIM Status, Confirm Local Presence
Front Panel	3 single-color; AC Present, Alarm & UIM Status
iPM	1 tri-color; DC Output, Fault
Alarming	
Alarms	Individual critical Dry Contact Alarms
Summary alarm relay	Form C, dry contact
Ethernet alarming	SNMP Traps
Logging	Up to 10,000 events (alarms, faults, AC on/off)
Mechanical	
Cooling	Natural convection (no fans)
Protection	Conformal coated circuit boards
AC/DC terminals	Screw terminal block / Dead front
Mounting	Wall, shelf, floor, EIA 19-inch rack (front or rear)

Multiple Dry Contact Alarm Points, Standard.



Bright bi-color LED indicators for clear and easy status updates at a glance.



Ordering Information

Part No.	Description	Weight
EEEEBC24v	Eagle Eye Emergency Battery Charger 24v 40 amp 4 iPMs, case, and 16ft DC Cable	80 lbs.
EEEEBC48v	Eagle Eye Emergency Battery Charger 48v 40 amp 4 iPMs, case, and 16ft DC Cable	80 lbs.
EEEEBC130v	Eagle Eye Emergency Battery Charger 130v 16 amp 4 iPMs, case, and 16ft DC Cable	80 lbs.